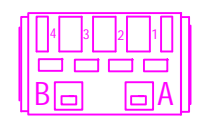
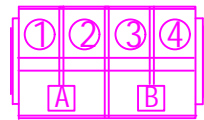


P1

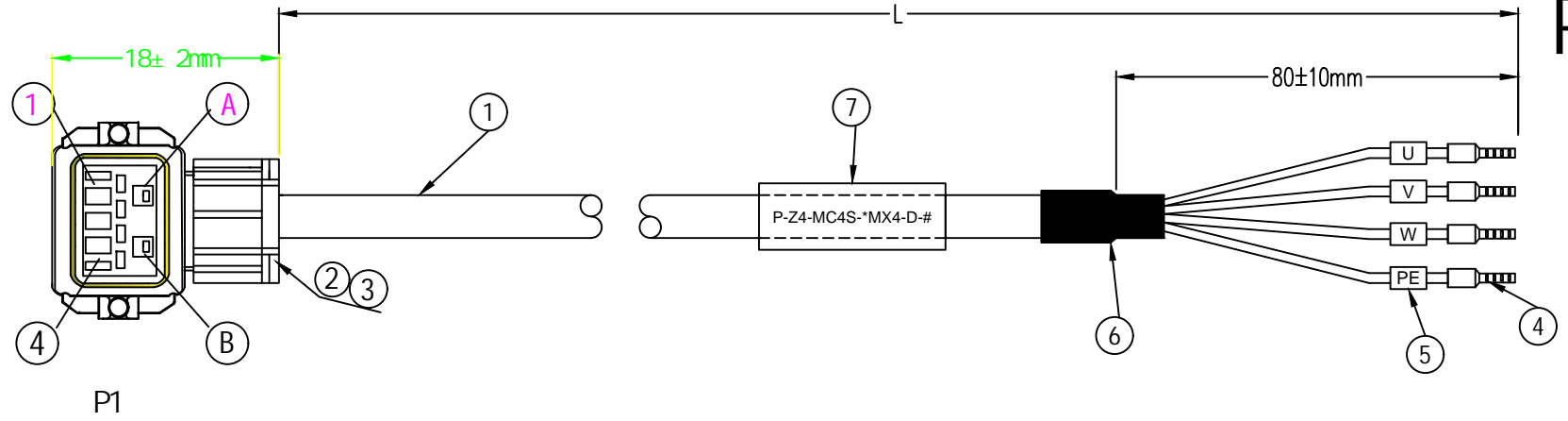
P2



Front view



Insert view



I. Wiring Table

P1	Color	Marker	P2
3	Brown or Red	U	E Terminal
1	Black or Blue	V	E Terminal
2	Gray or Brown	W	E Terminal
4	Yellow /Green	PE	E Terminal

II. Test Conditions:

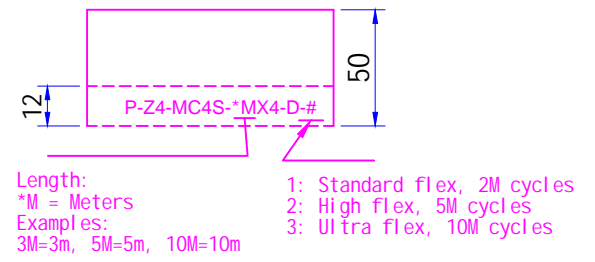
- 100% Open & Short Circuit Test
- Withstand Voltage Test: DC 300V
- Continuity Impedance: < 5
- Insulation Resistance: 300 M

III. Assembly Requirements:

- P2 terminal crimp free of deformation, crack or stray wires.
- Fit heat shrink tube before P1 assembly; wire shall not slip after locking.
- Thread serrated marker tube by wire color before crimping; no missing/wrong threading.

IV. Packaging:

- Coil dimension: 120±20 mm, then secure with black
- Place the coiled cable into a PE zipper bag.



0 L 1000mm	± 20	3000 L 5000mm	± 60	10000 L 15000mm	± 200
1000 L 3000mm	± 40	5000 L 10000mm	± 100	15000 L 20000mm	± 300

NO.	DESCRIPTION	Q'TY	UNIT
7	Label: 50×12×35, t0.03, white opaque PET sticker	1	PCS
6	Heat shrink tube, ID8.0, heavy-wall 600V, black	1	PCS
5	Marker tube, ID1.0, L15mm, PVC serrated, print U,V,W,PE	4	PCS
4	Terminal: EV7508 E-terminal, red insulator	4	PCS
3	Terminal: SUNCHU FMCK6012220	1	PCS
2	Connector: SUNCHU SC-MC6S-AC20-00	1	PCS
1	Cable 4C×0.5mm ² , OD6.5, ultra-flex 10M cycles, orange	X	M
	Cable 4C×0.5mm ² , OD6.5, high-flex 5M cycles, orange	X	M
	Cable 4C×0.5mm ² , OD6.5, standard-flex 2M cycles, black	X	M

2023.11.29		Unit	mm	A	1/1
Model	P-Z4-MC4S-*MX4-D-#				
Spec: Low-power cable SC-MC6S-AC20-00 T0 4E terminal 4C*0.75mm ²					